

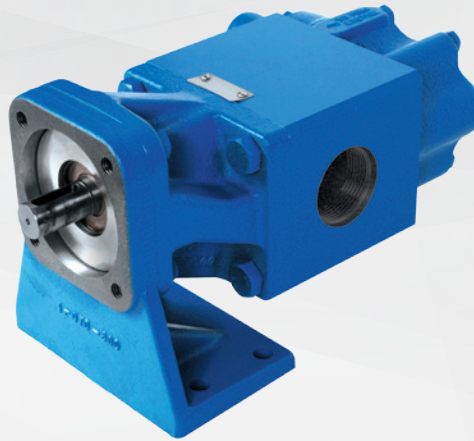
SPUR GEAR PRODUCT LINE

SERIES: SG-04, SG-05, SG-07, SG-10, SG-14

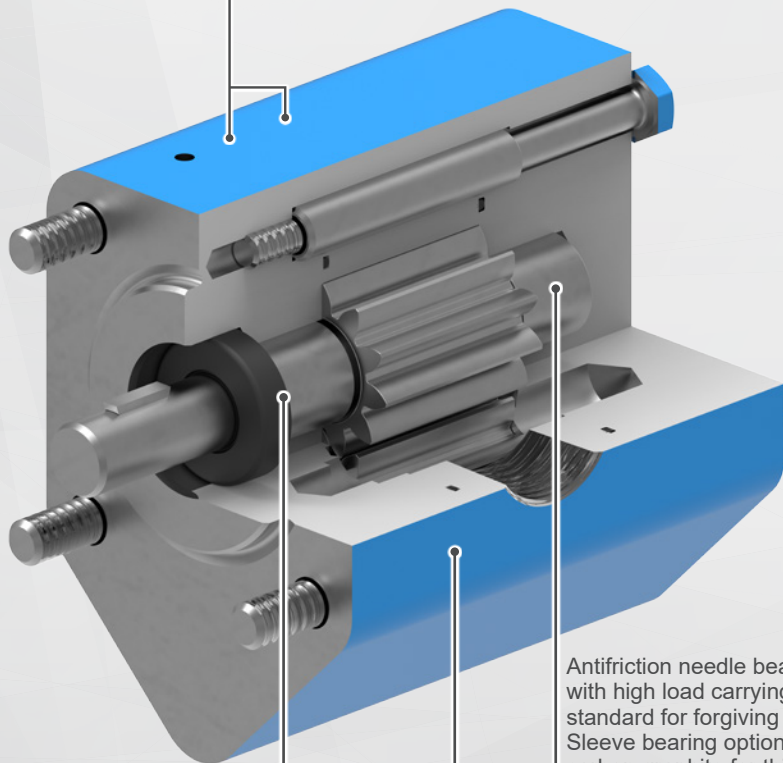
CAST IRON & DUCTILE IRON CONSTRUCTION

FEATURES & BENEFITS

- Needle bearings provide high pressure capabilities, sleeve bearing options available
- Close-coupled motor mount or foot bracket options to match space or motor requirements
- Double pump configurations offer two flow rates operating from a single power source, reducing equipment costs



Two section pump (casing and bracket) on SG-10 & -14 reduces runout to keep shaft aligned for long seal life. Three section pump (casing, bracket and head) on SG-04, -05 & -07 allows for more precise machining for closest clearances on low flows.



Sealing options include single lip seal, duplex lip seals with grease barrier, or single mechanical seal (all SG sizes). In addition, SG-10 and -14 offers pinned mechanical seal for high viscosity, and cartridge style single or double mechanical seals. Sealless mag drive option also available.

Antifriction needle bearings with high load carrying capacity standard for forgiving operation. Sleeve bearing options include carbon graphite for thin liquids, high temperature carbon, and silicon carbide for abrasives.

Hardened steel gears and shafts minimize wear. Spur-type gears minimize axial thrust for long seal life.



CAPACITY

to 190 GPM
(719 LPM)



PRESSURE

to 500 PSI
(34 BAR)



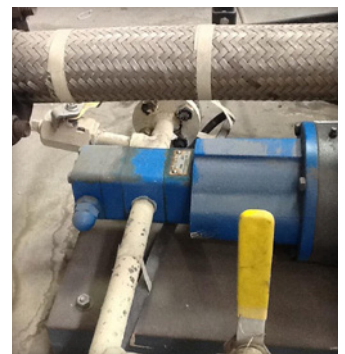
TEMPERATURE

-40°F to +450°F
(-40°C to +230°C)



VISCOSITY

28 to 1,000,000 SSU
(1 to 250,000 cSt)



VIKING PUMP

PERFORMANCE

| MODELS | | | SPECIFICATIONS | | | | | | | |
|-----------|-----------------|-----------|--------------------------------|------|---------------------|-----|-----------------------|-----|----------------|------------|
| Lip Seal | Mechanical Seal | Mag Drive | Nominal Flow Range At 1750 RPM | | Continuous Pressure | | Intermittent Pressure | | Standard Ports | |
| | | | GPM | LPM | PSI | BAR | PSI | BAR | Size, Inches | Type |
| SG-0417 | SG-40417 | — | 0.06 | 0.23 | 500 | 34 | 750 | 52 | 0.375 | NPT |
| SG-0418 | SG-40418 | — | 0.14 | 0.53 | 500 | 34 | 1,250 | 86 | 0.375 | NPT |
| SG-0425 | SG-40425 | — | 0.18 | 0.68 | 500 | 34 | 1,500 | 103 | 0.375 | NPT |
| SG-0470 | SG-40470 | — | 0.5 | 1.89 | 500 | 34 | 1,500 | 103 | 0.375 | NPT |
| SG-0518 ① | SG-40518 | SG-80518 | 0.7 | 2.6 | 500 | 34 | 1,500 | 103 | 0.5 | NPT |
| SG-0525 ① | SG-40525 | SG-80525 | 1 | 3.8 | 500 | 34 | 2,500 | 172 | 0.5 | NPT |
| SG-0535 ① | SG-40535 | SG-80535 | 1.4 | 5.3 | 500 | 34 | 2,500 | 172 | 0.5 | NPT |
| SG-0550 ① | SG-40550 | SG-80550 | 2 | 7.6 | 500 | 34 | 2,500 | 172 | 0.5 | NPT |
| SG-0570 ① | SG-40570 | SG-80570 | 2.8 | 10.6 | 500 | 34 | 1,800 | 124 | 0.5 | NPT |
| SG-0510 ① | SG-40510 | SG-80510 | 4 | 15.1 | 500 | 34 | 1,250 | 86 | 0.5 | NPT |
| SG-0514 ① | SG-40514 | SG-80514 | 5.6 | 21.2 | 500 | 34 | 900 | 62 | 0.75 | NPT |
| SG-0519 ① | SG-40519 | SG-80519 | 7.6 | 28.8 | 200 | 14 | 400 | 28 | 0.75 | NPT |
| SG-0528 ① | SG-40528 | SG-80528 | 11.2 | 42.4 | 100 | 7 | 200 | 14 | 0.75 | NPT |
| SG-0729 | SG-40729 | — | 2.8 | 10.6 | 500 | 34 | 2,500 | 172 | 1 | NPT |
| SG-0741 | SG-40741 | SG-80741 | 4 | 15.1 | 500 | 34 | 2,500 | 172 | 1 | NPT |
| SG-0758 | SG-40758 | SG-80758 | 5.6 | 21.2 | 500 | 34 | 2,500 | 172 | 1 | NPT |
| SG-0782 | SG-40782 | SG-80782 | 8 | 30.3 | 500 | 34 | 2,250 | 155 | 1 | NPT |
| SG-0711 | SG-40711 | SG-80711 | 11.2 | 42.4 | 500 | 34 | 1,600 | 110 | 1 | NPT |
| SG-0716 | SG-40716 | SG-80716 | 16 | 61 | 500 | 34 | 1,100 | 75 | 1 | NPT |
| SG-0722 | SG-40722 | SG-80722 | 22 | 83 | 500 | 34 | 1,600 | 110 | 1.50 X 1.25 | NPT |
| SG-0732 | SG-40732 | SG-80732 | 32 | 121 | 500 | 34 | 1,100 | 75 | 1.50 X 1.25 | NPT |
| SG-1009 | SG-41009 | — | 16 | 61 | 500 | 34 | 2,500 | 172 | 1 | SAE Flange |
| SG-1013 | SG-41013 | SG-81013 | 25 | 95 | 500 | 34 | 1,900 | 131 | 1.5 | SAE Flange |
| SG-1026 | SG-41026 | SG-81026 | 50 | 189 | 500 | 34 | 1,000 | 69 | 2 | SAE Flange |
| SG-1420 | SG-41420 | SG-81420 | 70 | 265 | 500 | 34 | 1,100 | 76 | 2 | SAE Flange |
| SG-1436 | SG-41436 | SG-81436 | 125 | 473 | 290 | 20 | 580 | 40 | 3 | SAE Flange |
| SG-1456 | SG-41456 | SG-81456 | 190 | 719 | 190 | 13 | 380 | 26 | 4 | SAE Flange |

Integral pressure relief valve standard (single pump).

SG-05 & SG-07 models also available in Ductile Iron construction (SGN).

① SG-05 models available with UL 343 listing for fuel oil.

TYPICAL APPLICATIONS

- Pipeline Injection
- Pipeline Sampling
- Oil Polishing
- High Pressure Lubrication
- Hydraulics
- Fuels
- Lube Oils

PORTING

- Opposite (180°)
- NPT
- SAE O-Ring
- SAE Flange

SEALING

- Lip Seal
- Component Mechanical Seal
- Mag Drive

MOUNTING

- Foot Mount (with Footed Bracket)
- Motor Mount Bracket to IEC & NEMA Motors (Close-Coupled)
- Vertical Mount

OPTIONS

- Double Pump

DRIVES

- ⓓ Direct-Mounted Drive
- ⓑ Foot Bracket Mounted Drive
- Ⓜ Motor Mounted Drive
- Ⓜ4 Tang Motor Drive



(SG-0525 M4 Drive)

VIKING PUMP

VIKING PUMP, INC.

A Unit of IDEX Corporation
406 State Street
Cedar Falls, Iowa 50613 U.S.A.
Telephone: (319) 266-1741
vikingpump.com

Contact Your Stocking Distributor Today

Distributed By:

United States
vikingpump.com

Cedar Falls, Iowa
Phone: (319) 266-1741

Canada
vikingpumpcanada.com

Windsor, Ontario
Phone: (519) 256-5438

Europe & Africa
vikingpump.com

Shannon, Ireland
Phone: +353 (61) 471933

Asia-Pacific
idexfmt-asia.com

China - Shanghai
Phone: +86-21-5241-5599
India - Mumbai
Phone: +91-22-6643-5563
Singapore
Phone: +65-6684-7305

Middle East
idexfmt-asia.com

Dubai, UAE
Phone: +973-4-299-1095/1097

Latin America
vikingpump.com

Australia & New Zealand
vikingpump.com

